



**Submittal for
Gasketed Fittings**



HRANEC SHEET METAL, INC.

SUBMITTAL Gasketed Fittings

INDEX

- 1 NOTES
- 2 COUPLING CONNECTION
- 3 CROSS TEE
- 4 GORE-LOCK ELBOW
- 5 END CAP
- 6 OFFSET
- 7 REDUCER
- 8 ROUND END SADDLE TAP
- 9 SQUARE TO ROUND
- 10 TEE

GASKETED FITTINGS

1. RECOMMENDED MATERIAL FOR PAINTED SPIRAL DUCT=PAINT GRIP, HOWEVER GALVANIZED G90 CAN EASILY BE PAINTED WITH EXTRA PREP WORK.
2. WE RECOMMENDED WIPING DOWN MINIMAL EXCESS LUBRICANT TWICE BEFORE PAINTING WITH DRY RAGS. IN ADDITION,WIPE DOWN WITH NO RINSE PREPAINT CLEANER #13158 (SHERWIN WILLIAMS) BEFORE APPLYING TWO COATS METAL PRIMER.
3. ALL PRIMER AND PAINT SHOULD BE LABELED TO ADHERE VERY WELL FOR METAL PAINTING APPLICATIONS.
4. MANUFACTURED USING SPIRAL HELIX EQUIPMENT THE NUMBER ONE LEADER IN SPIRAL MANUFACTURING EQUIPMENT.
5. OUR SPIRAL DUCT WORK HAS BEEN EXTENSIVELY AIR TESTED FOR LOW, MEDIUM & HIGH PRESSURES.
6. STANDARD MATERIAL GALVANIZED G90 (24,22,20 GA.)
ALTERNATE MATERIAL PAINT GRIP (24,22,20 GA.)
ALTERNATE MATERIAL STAINLESS STEEL 304L (24 GA.)
ALTERNATE MATERIAL PVC COATED (24,22 GA.)
*(PVC IS NOT RECOMMENDED FOR EXPOSED DUCT THAT IS TO BE PAINTED DUE TO VARIATIONS IN COLORS)
7. METAL GAUGES ARE PRESSURE CLASS DRIVEN FROM LATEST SMACNA STANDARDS.
8. LONGITUDINAL SEAMS ARE ALL STITCH WELDED.
9. AVAILABLE SIZES- 5"-50"
10. DOUBLE-LIPPED, EPDM SEALING STRIP, MECHANICALLY FASTENED TO FACTORY FABRICATED DUCTWORK.

DESCRIPTION

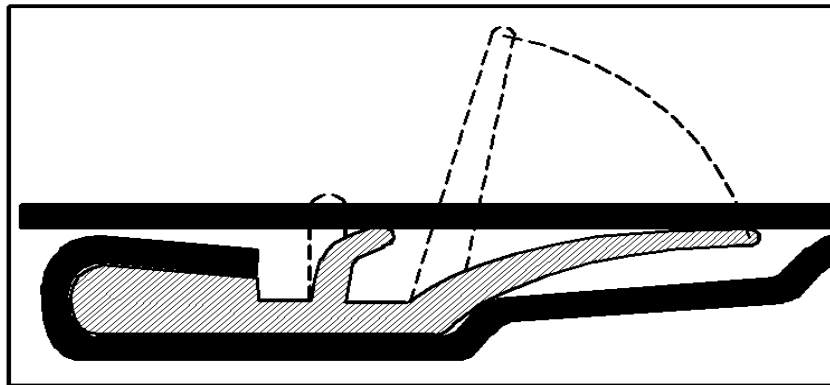
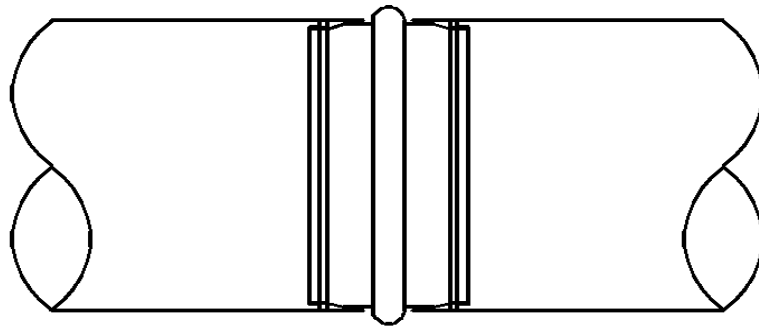
NOTES



HRANEC SHEET METAL INC
SPIRAL MANUFACTURERS

CONNECTIONS FOR ROUND DUCT AND FITTINGS

GASKETED
COUPLING
CONNECTION
SECURED WITH SCREWS



TYPICAL GASKET
CONNECTION

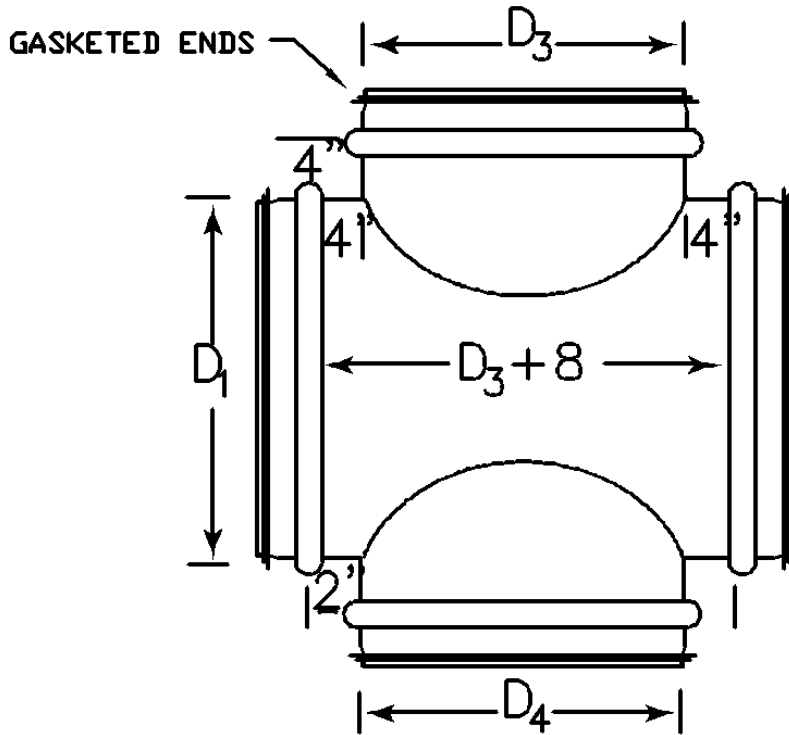
DESCRIPTION

COUPLING CONNECTION



HRANEC SHEET METAL INC
SPIRAL MANUFACTURERS

GASKETED CROSS TEE



- SEALED, SPOT WELDED SEAMS USED ON CROSSES.
- COUPLING CONNECTION SMALL END.
- FLANGED CONNECTIONS PIPE SIZE.
- METAL IS 22 GAUGE UNLESS SPECIFIED OTHERWISE.
- LATERAL & REDUCING CROSSES AVAILABLE.

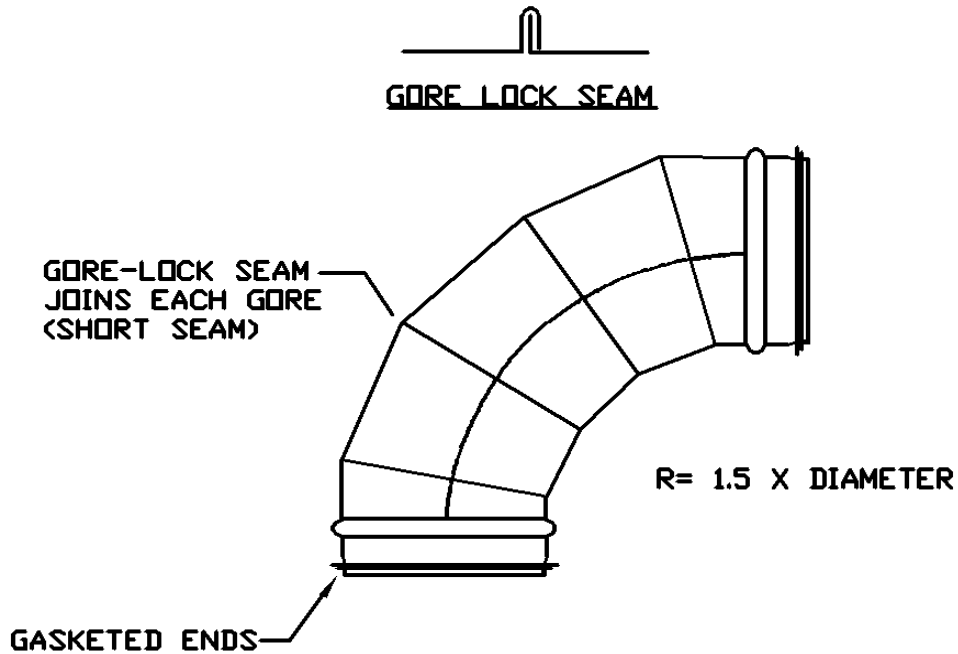
DESCRIPTION

CROSS TEE



HRANEC SHEET METAL INC
SPIRAL MANUFACTURERS

GASKETED GORE-LOCK ELBOW



- AVAILABLE IN 5° THROUGH 90°
- STANDARD ELBOWS TO BE GORE LOCK CONSTRUCTION WITH 1/4" LAP ON THE LONG SEAM.
- ALTERNATE CONSTRUCTION TACK & SEAL
- COUPLING CONNECTION SMALL END.
- MITERED ELBOW WITH VANES AVAILABLE WITH TACK & SEAL, TWO PIECE CONSTRUCTION.
- 16" AND BELOW=4 GORE CONSTRUCTION
- 18" AND ABOVE=5 GORE CONSTRUCTION

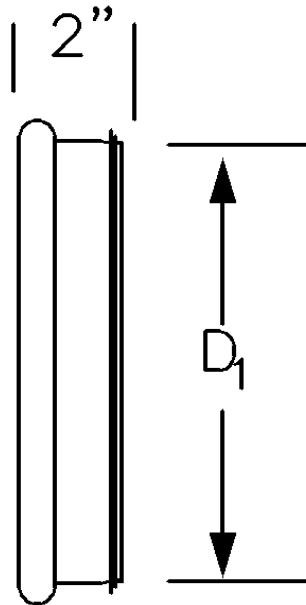
DESCRIPTION

GORE-LOCK ELBOW



HRANEC SHEET METAL INC
SPIRAL MANUFACTURERS

GASKETED END CAPS



-GORE LOCK CONSTRUCTION

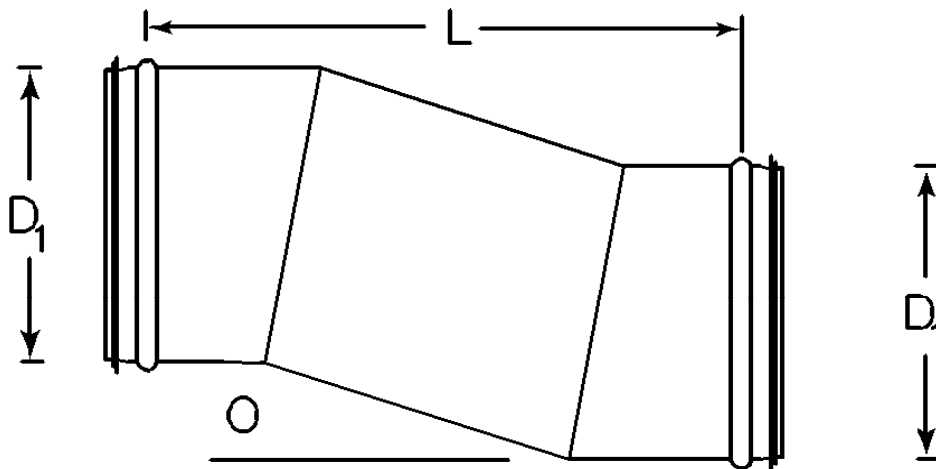
DESCRIPTION

END CAP



HRANEC SHEET METAL INC
SPIRAL MANUFACTURERS

GASKETED OFFSETS



- LENGTH TWO - THREE TIMES THE OFFSET
- GORE-LOCK SEAM AND 1/4" LAP TACK & SEAL (LONGITUDINAL SEAM) USED ON REDUCERS
- COUPLING CONNECTION SMALL END.

DESCRIPTION

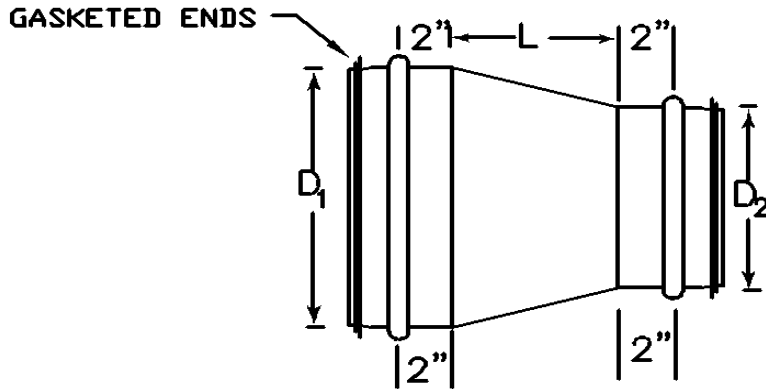
OFFSET



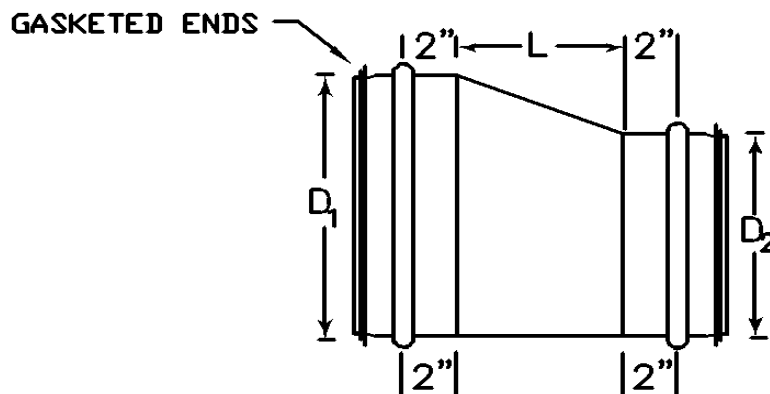
HRANEC SHEET METAL INC
SPIRAL MANUFACTURERS

GASKETED REDUCERS

CONCENTRIC REDUCER



ECCENTRIC REDUCER



- GORE-LOCK SEAM AND 1/4" LAP STITCH WELD (LONGITUDINAL SEAM) USED ON REDUCERS
- COUPLING CONNECTION SMALL END.

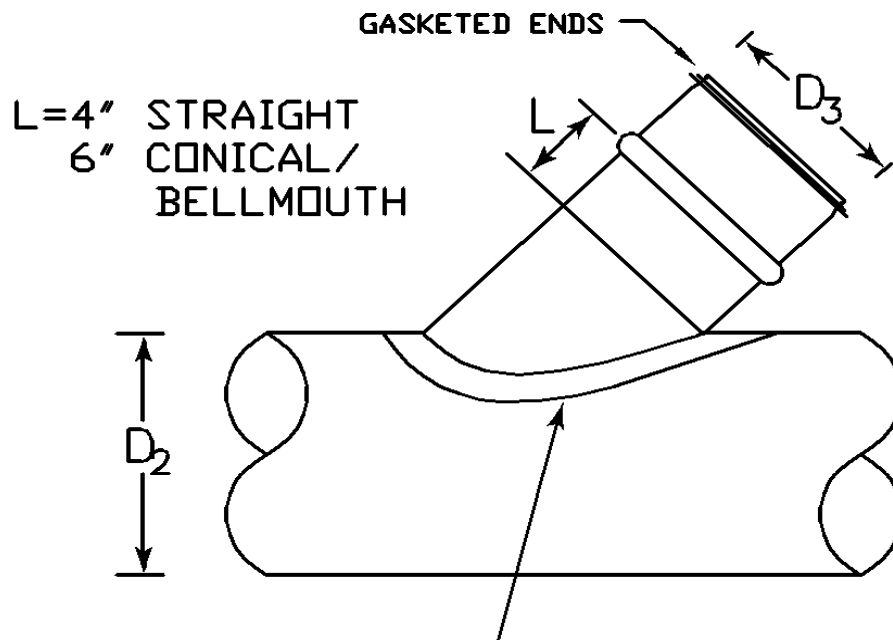
DESCRIPTION

REDUCER



HRANEC SHEET METAL INC
SPIRAL MANUFACTURERS

GASKETED ROUND END SADDLE TAP



4"-16"= 1/2" FLANGE OUT
 18" AND ABOVE= 2" PLATE WITH 1/2" HEM IN

- SEALED, SPOT WELDED SEAMS.
- COUPLING CONNECTION SMALL END.
- FLANGED CONNECTIONS PIPE SIZE.
- STANDARD 45° & 90° ANGLES. ALTERNATE ANGLES AVAILABLE.
- CONICAL OR BELLMOUTH AVAILABLE.

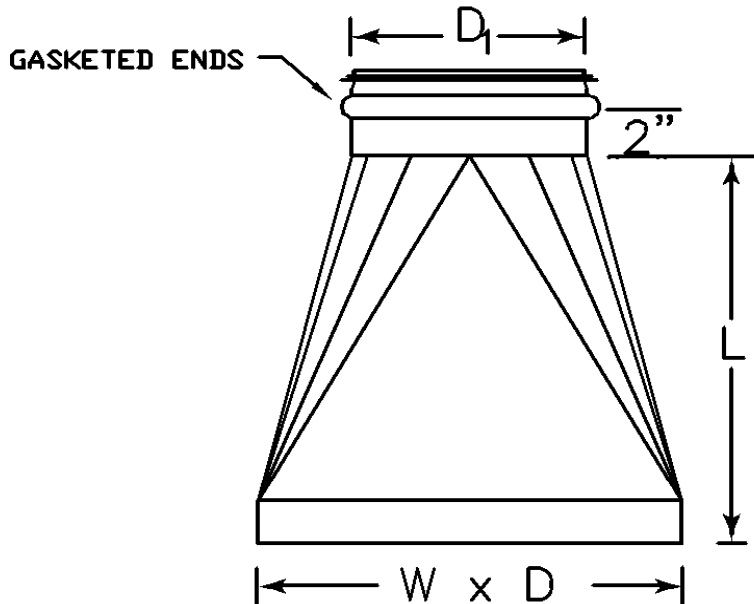
DESCRIPTION

ROUND END SADDLE TAP



HRANEC SHEET METAL INC
 SPIRAL MANUFACTURERS

GASKETED SQUARE to ROUND



NOTES:

- A. SEALED, STITCH WELDED SEAMS USED ON SQUARE TO ROUNDS.
- B. COUPLING CONNECTION SMALL END.
- C. FLANGED CONNECTIONS PIPE SIZE.
- D. SQUARE END OF FITTING CAN ALSO HAVE AN END TREATMENT AS A DUCT CONNECTION SUCH AS S&D OR DUCTMATE 35.
- E. FITTING CAN ALSO BE USED AS A REGISTER CONNECTION WITH A FLANGE IN OR OUT.

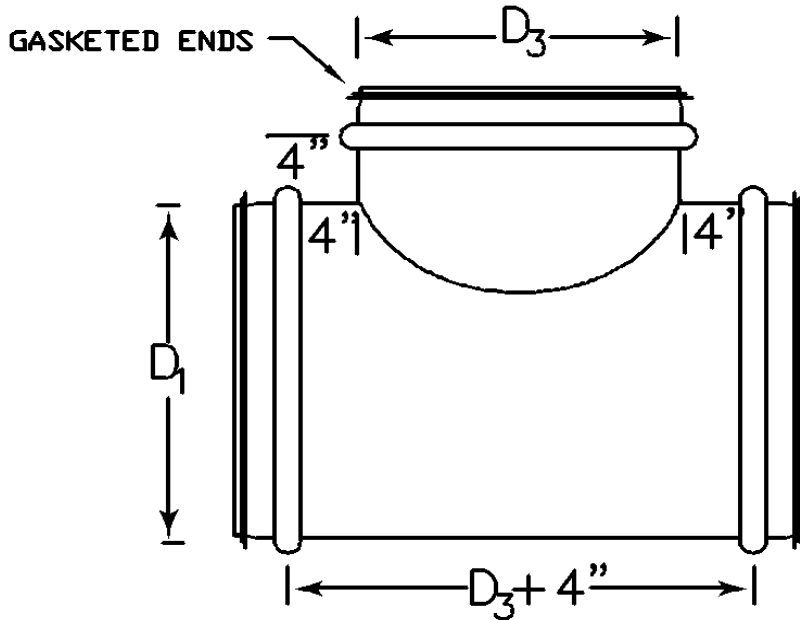
DESCRIPTION

SQUARE TO ROUND



HRANEC SHEET METAL INC
SPIRAL MANUFACTURERS

GASKETED TEES



- SEALED, SPOT WELDED SEAMS USED ON TEES.
- COUPLING CONNECTION SMALL END.
- FLANGED CONNECTIONS PIPE SIZE.
- METAL IS 22 GAUGE UNLESS SPECIFIED OTHERWISE.
- LATERAL & REDUCING TEE'S AVAILABLE.
- MITERED TEE WITH VANES AVAILABLE WITH TACK & SEAL, TWO PIECE CONSTRUCTION.

DESCRIPTION

TEE



HRANEC SHEET METAL INC
SPIRAL MANUFACTURERS